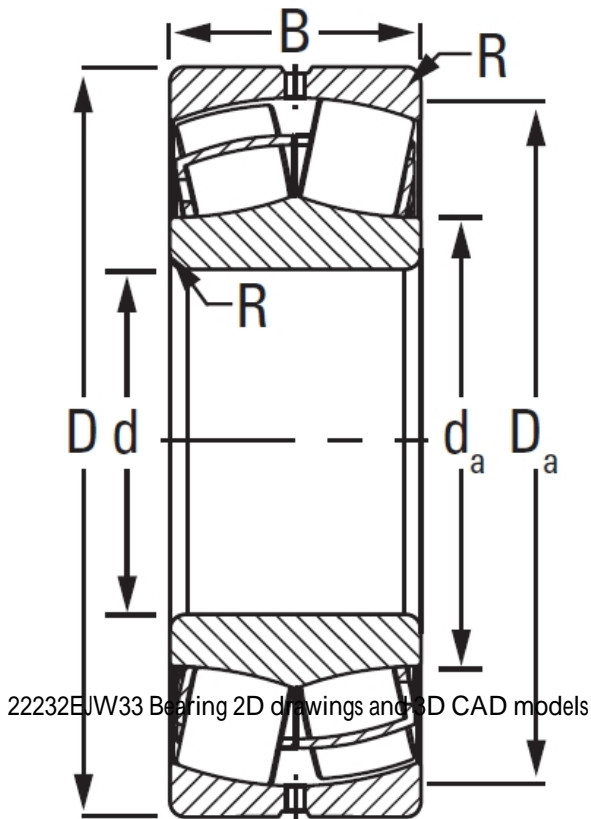




# Timken Making Bearings LTD

## Timken 22232EJW33 Spherical Roller Bearings

Bearing No. 22232EJW33



22232EJW33 Bearing 2D drawings and 3D CAD models

Design Unit	METRIC
Bearing Weight	21.9 Kg
Cage Type	EJ
UPC Code	087796025677
Cage Material	Steel
Superseded Part	22232CJW33
d	160 mm
D	290.000 mm
B - Inner Ring Width	80 mm
B - Outer Ring Width	80 mm
R - Inner Ring To Clear Radius <sup>1</sup>	2.500 mm
r - Outer Ring To Clear Radius <sup>2</sup>	2.500 mm
da - Inner Ring Backing Diameter	192.000 mm
Da - Outer Ring Backing Diameter	264.000 mm
C0 - Static Radial Rating	1370000 N
C1(2) - Dynamic Radial Rating (Two-Rows)	1120000 N
e - ISO Factor <sup>3</sup>	0.26
Y0 - ISO Factor <sup>4</sup>	2.62
Y1 - ISO Factor <sup>5</sup>	3.91
Y2 - ISO Factor <sup>6</sup>	2.57
Reference Thermal Speed Rating (Grease)	1900
Reference Thermal Speed	2200



## Timken Making Bearings LTD

Rating (Oil) <sup>7</sup>	
Cg - Geometry Factor <sup>8</sup>	0.0931