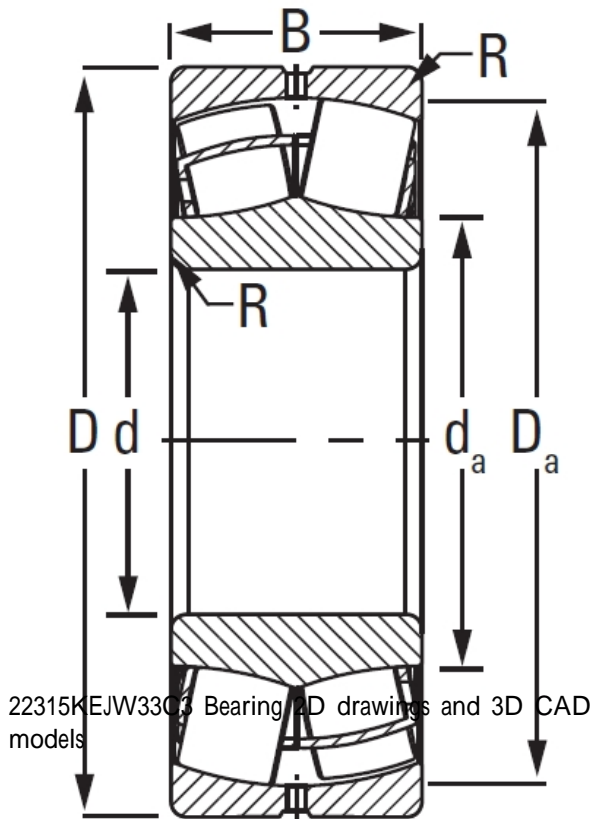




Timken Making Bearings LTD

Timken 22315KEJW33C3 Spherical Roller Bearings

Bearing No. 22315KEJW33C3



22315KEJW33C3 Bearing CAD drawings and 3D CAD models

Design Unit	METRIC
Bore Taper	1/12
Bearing Weight	5.2 Kg
Cage Type	EJ
UPC Code	087796026544
Cage Material	Steel
Superseded Part	22315KCJW33C3
d	75 mm
D	160 mm
B - Inner Ring Width	55 mm
B - Outer Ring Width	55.000 mm
R - Inner Ring To Clear Radius ¹	2.0 mm
r - Outer Ring To Clear Radius ²	2.0 mm
da - Inner Ring Backing Diameter	97.000 mm
Da - Outer Ring Backing Diameter	144.000 mm
C0 - Static Radial Rating	478000 N
C1(2) - Dynamic Radial Rating (Two-Rows)	450000 N
e - ISO Factor ³	0.33
Y0 - ISO Factor ⁴	2.04
Y1 - ISO Factor ⁵	3.04
Y2 - ISO Factor ⁶	2
Reference Thermal Speed	3400



Timken Making Bearings LTD

Rating (Grease)	
Reference Thermal Speed Rating (Oil) ⁷	4000
Cg - Geometry Factor ⁸	0.0614