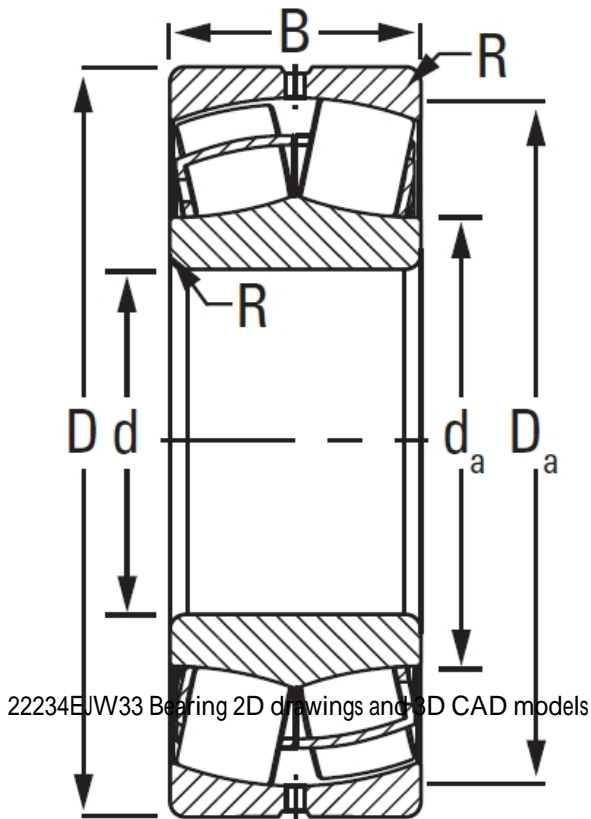




Timken Making Bearings LTD

Timken 22234EJW33 Spherical Roller Bearings

Bearing No. 22234EJW33



22234EJW33 Bearing 2D drawings and 3D CAD models

Design Unit	METRIC
Bearing Weight	27.3 Kg
Cage Type	EJ
UPC Code	087796025752
Cage Material	Steel
Superseded Part	22234CJW33
d	170 mm
D	310 mm
B - Inner Ring Width	86 mm
B - Outer Ring Width	86.000 mm
R - Inner Ring To Clear Radius ¹	3.0 mm
r - Outer Ring To Clear Radius ²	3.0 mm
da - Inner Ring Backing Diameter	204.000 mm
Da - Outer Ring Backing Diameter	281.000 mm
C0 - Static Radial Rating	1590000 N
C1(2) - Dynamic Radial Rating (Two-Rows)	1290000 N
e - ISO Factor ³	0.26
Y0 - ISO Factor ⁴	2.61
Y1 - ISO Factor ⁵	3.89
Y2 - ISO Factor ⁶	2.55
Reference Thermal Speed Rating (Grease)	1700
Reference Thermal Speed	2000



Timken Making Bearings LTD

Rating (Oil) ⁷	
Cg - Geometry Factor ⁸	0.0901