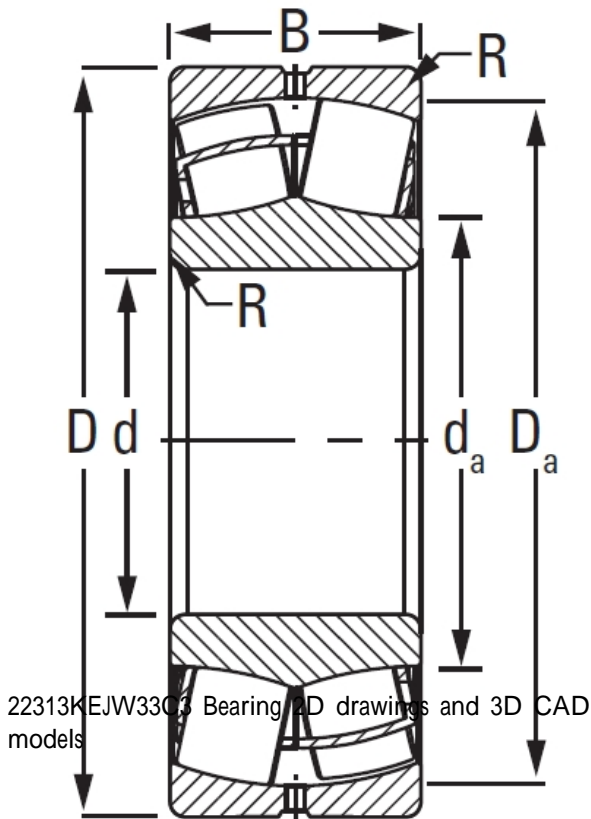




Timken Making Bearings LTD

Timken 22313KEJW33C3 Spherical Roller Bearings

Bearing No. 22313KEJW33C3



Design Unit	METRIC
Bore Taper	1/12
Bearing Weight	3.60 Kg
Cage Type	EJ
UPC Code	087796024045
Cage Material	Steel
Superseded Part	22313KCJW33C3
d	65 mm
D	140 mm
B - Inner Ring Width	48 mm
B - Outer Ring Width	48.000 mm
R - Inner Ring To Clear Radius ¹	2.0 mm
r - Outer Ring To Clear Radius ²	2.0 mm
da - Inner Ring Backing Diameter	84.000 mm
Da - Outer Ring Backing Diameter	127.000 mm
C0 - Static Radial Rating	346000 N
C1(2) - Dynamic Radial Rating (Two-Rows)	344000 N
e - ISO Factor ³	0.33
Y0 - ISO Factor ⁴	2.05
Y1 - ISO Factor ⁵	3.05
Y2 - ISO Factor ⁶	2
Reference Thermal Speed	3800



Timken Making Bearings LTD

Rating (Grease)	
Reference Thermal Speed Rating (Oil) ⁷	4400
Cg - Geometry Factor ⁸	0.0558