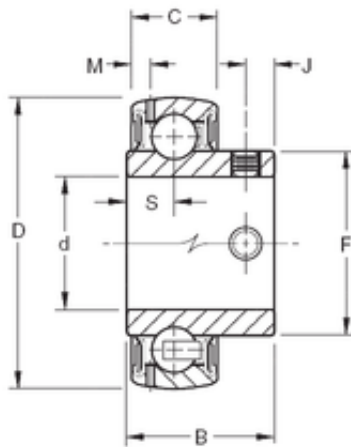




# Timken Making Bearings LTD

## 40 mm x 80 mm x 39,3 mm Timken GYAE40RRB Ball Insert Bearings



Bearing No. GYAE40RRB

Size	40x80x39.3 mm
Bore Diameter	40 mm
Outer Diameter	80 mm
Width	39,3 mm
d	40 mm
D	80 mm
B	39,3 mm
C	22 mm
F	52,4 mm
J	7,87 mm
M	4,17 mm
S	11,63 mm
Thread (G)	M8X1,25
Weight	0,56 Kg
Basic dynamic load rating (C)	36 kN

GYAE40RRB Bearing 2D drawings and 3D CAD models