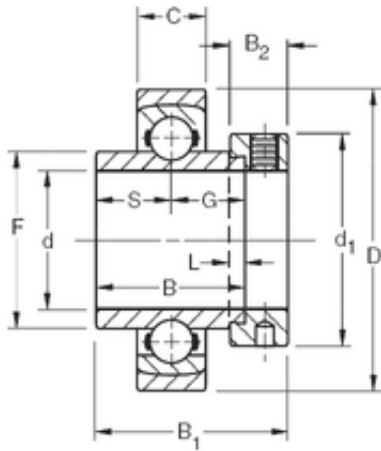




# Timken Making Bearings LTD

## 74,6125 mm x 175 mm x 74,61 mm Timken SMN215KS Ball Insert Bearings



Bearing No. SMN215KS

|                               |                      |
|-------------------------------|----------------------|
| Size                          | 74.6125x175x74.61 mm |
| Bore Diameter                 | 74,6125 mm           |
| Outer Diameter                | 175 mm               |
| Width                         | 74,61 mm             |
| d                             | 74,6125 mm           |
| D                             | 175 mm               |
| B                             | 74,61 mm             |
| C                             | 37 mm                |
| d1                            | 112,7 mm             |
| B1                            | 100 mm               |
| B2                            | 31,8 mm              |
| F                             | 100,38 mm            |
| G                             | 37,3 mm              |
| L                             | 6,4 mm               |
| S                             | 37,3 mm              |
| Weight                        | 6,456 Kg             |
| Basic dynamic load rating (C) | 125 kN               |

SMN215KS Bearing 2D drawings and 3D CAD models