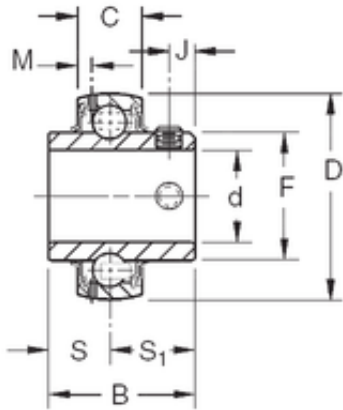




Timken Making Bearings LTD

19.05 mm x 47 mm x 30,96 mm Timken GY1012KRRB SGT Ball Insert Bearings



Bearing No. GY1012KRRB SGT

Size	19.05x47x30.96 mm
Bore Diameter	19.05 mm
Outer Diameter	47 mm
Width	30,96 mm
d	19.05 mm
D	47 mm
B	30,96 mm
C	14 mm
S1	18,26 mm
F	27,56 mm
J	5,13 mm
M	3,43 mm
S	12,7 mm
Thread (G)	M5X0,8
Basic dynamic load rating (C)	14,3 kN

GY1012KRRB SGT Bearing 2D drawings and 3D CAD models