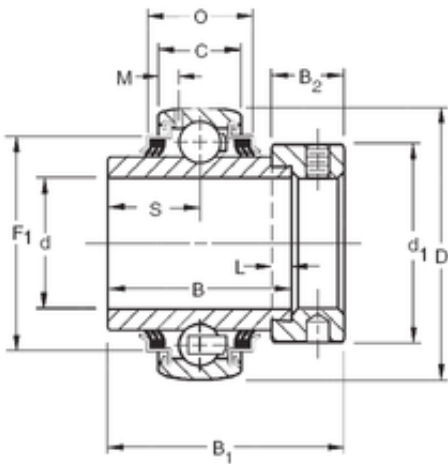




# Timken Making Bearings LTD

## 31.75 mm x 62 mm x 36,51 mm Timken G1103KPPB4 Ball Insert Bearings



Bearing No. G1103KPPB4

Size	31.75x62x36.51 mm
Bore Diameter	31.75 mm
Outer Diameter	62 mm
Width	36,51 mm
d	31.75 mm
D	62 mm
B	36,51 mm
C	18 mm
O	21,56 mm
d1	44,4 mm
B1	48,4 mm
B2	15,9 mm
L	3,9 mm
M	4,19 mm
S	18,3 mm
F1	52,53 mm
Weight	0,349 Kg
Basic dynamic load rating (C)	21,8 kN

G1103KPPB4 Bearing 2D drawings and 3D CAD models