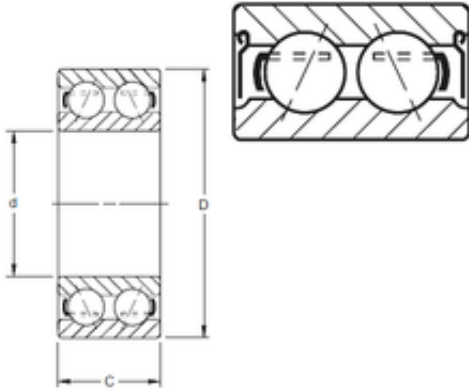




Timken Making Bearings LTD

80 mm x 140 mm x 47,62 mm Timken 5216DD Angular Contact Bearings

Bearing No. 5216DD



5216DD Bearing 2D drawings and 3D CAD models

Size	80x140x47.62 mm
Bore Diameter	80 mm
Outer Diameter	140 mm
Width	47,62 mm
d	80 mm
D	140 mm
B	47,62 mm
C	47,62 mm
Angle (°)	30 °
Weight	2,867 Kg
Basic dynamic load rating (C)	168 kN